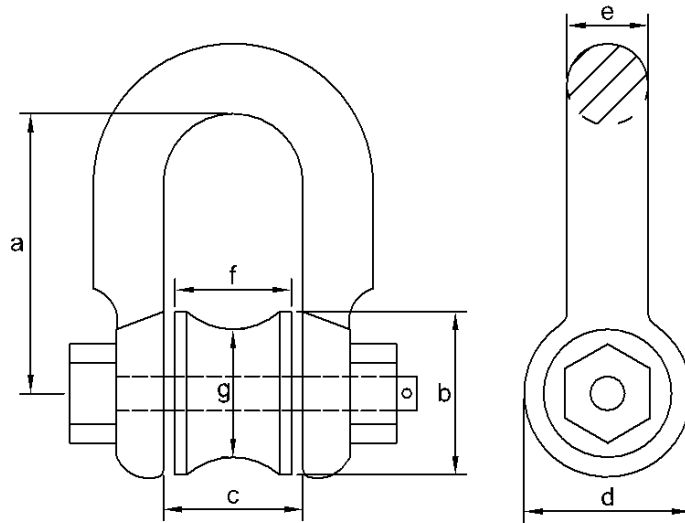




### Roller Shackles



Safety Factor:BL equals 4xSWL

Finish:Painted

Model NO.	a(mm)	b(mm)	c(mm)	d(mm)	e(mm)	f(mm)	g(mm)	S.W.L(T)	B.L(T)
RS-3	105	63	47	64	25	44	45	3	12
RS-4	122	74	54	75	28	50	52	4	16
RS-5	144	85	64	90	32	60	80	5	20

[www.secureaload.co.nz](http://www.secureaload.co.nz)

Phone 0800 100 449

Auckland

Tauranga

Christchurch