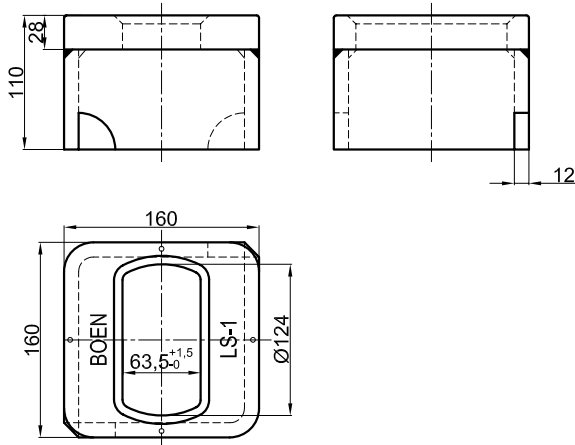
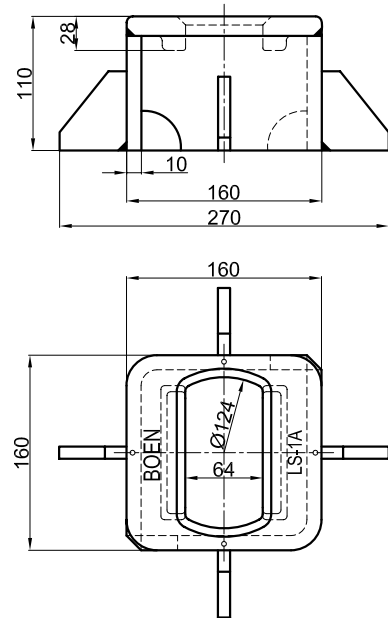


# Lifting Foundation

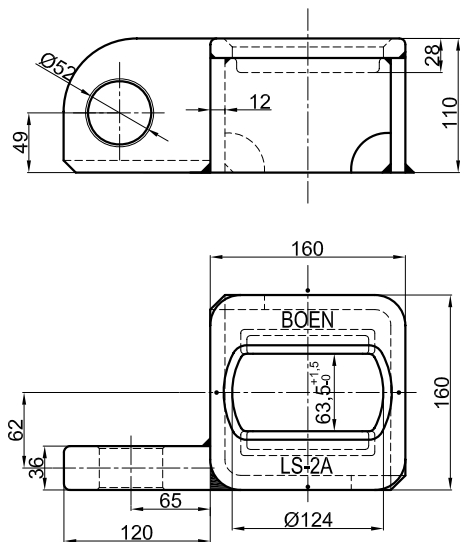
LS-1



LS-1A



LS-2A



LS-2A L/R

